



Lisbon-2 ACC100 FEC Accelerator Standard Temperature Card

Standard temperature eASIC ACC100 FEC Accelerator Server Adapter Intel® Based

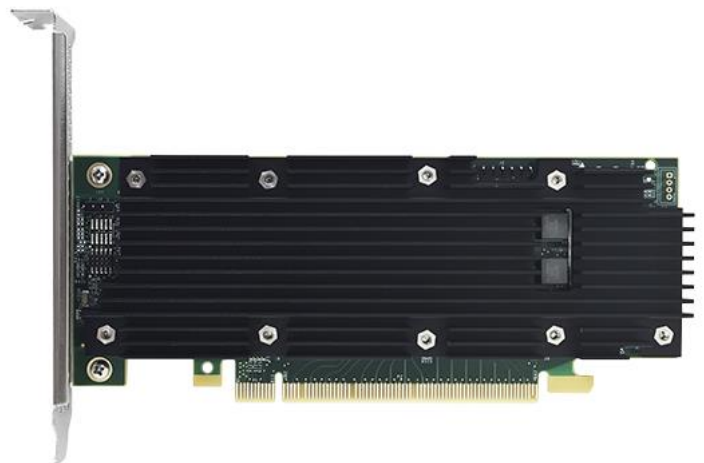
Product Description

Lisbon-2 eASIC ACC100 FEC Accelerator server adapter is based on the Intel vRAN Dedicated Accelerator ACC100, an Intel eASIC Nextreme-3S device. The ACC100 is packaged in a 35mmx35mm FC1156 package with 1.0mm ball pitch (some balls are de-populated to facilitate break-out). The ACC100 provides 4G (Turbo) and 5G (LDPC) encode and decode via PCIe interface.



The next generation telecom networks (5G) have started hitting the market end of 2018 and will continue to expand worldwide. Beyond just speed improvements, 5G is expected to unleash a massive IoT ecosystem where networks can serve communication needs for billions of connected devices, with the right trade-offs between speed, latency, and cost. 5G technology is driven by some specification requirements: Up to 10Gbps data rate, 1-millisecond latency, up to 100x number of connected devices per unit area (compared with 4G LTE), 100% coverage, etc.).

The PCIe shall be deployed in various Xeon based COTS servers ranging from dual-socket Xeon-SP rackmount implementations, single socket Xeon-SP Edge servers through to low-core-count (LCC) based Xeon-D servers. The commercial solution shall be implemented on the Low profile half-length PCIe x16 Gen-3 PCIe add-in card.

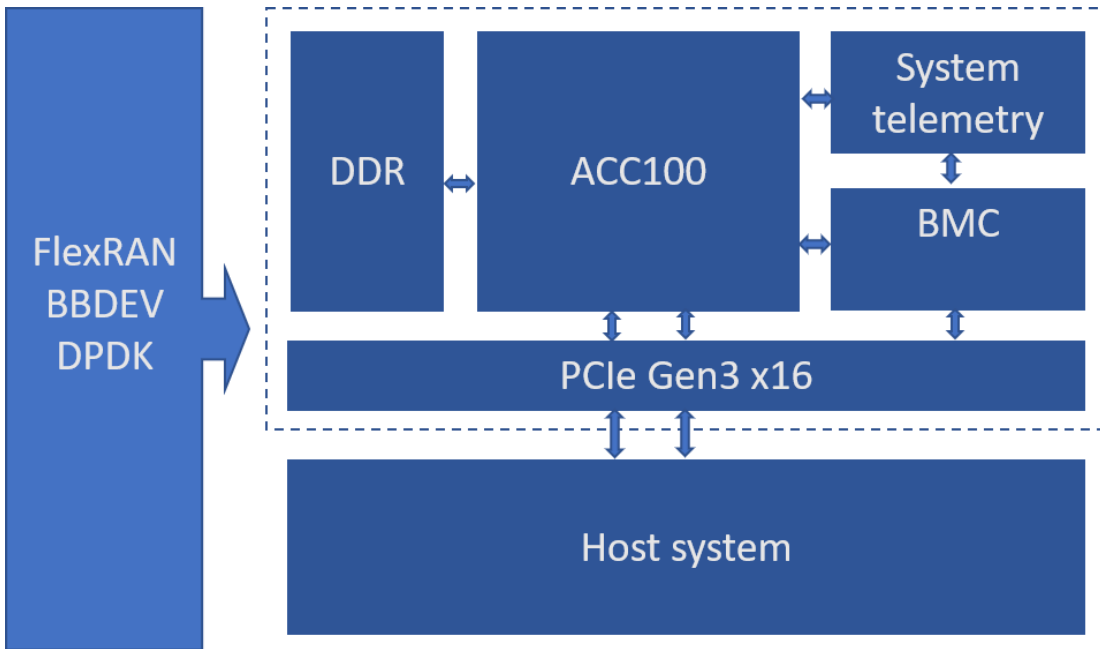


Key Features

- Support eASIC Nextreme-3S family, 35mmx35mm package.
- Supports on board up to 16Gbit DDR4 with ECC.
- PCIe Gen3, X16.
- Support PCI Express Base Specification 3.0 (8 GTs)
- Half Length, Low profile height
- Selection of Heat sink types optimized to application power / host server limitation

Technical Specifications

General Technical Specifications Adapters:	
Chip	Intel eASIC N3XS
FW Flash	SPI Flash Device
Memory:	Samsung 8GB DDR4 SDRAM 512Mx16 96FBGA. 64bit 2667Mbps DDR-4 with 8-bit ECC. Mfr. P/N K4A8G165WB-BITD
Interface Standard:	PCI-Express Base Specification Revision 3.0 (8 GTs)
Board Size:	Half Length, Low profile height: 167.64 mm X 64.389mm (6600"X 2.535")
PCI Express Card Type:	X16 Lane
PCI Express Voltage:	<ul style="list-style-type: none"> • +12V +- 8% from PCIe Edge Connector. • +3.3V AUX ± 9%
PCIe Connector:	Gold Finger: X16
Power Consumption	Maximum: 52W eASIC: 36W Peripherals: 2W DDRs: 2.5W Power: 11.5
Sensors:	Temperature Sensor
Debug Connectors	– Header Programming and UART debug interface for BMC x2 – 3-Pin Header for I2C measurements
Operating Temperature P1:	0°C – 45°C (32°F – 113°F), ambient temperature, Air flow 500LFM
BMC	MCU, P/N: EFM32GG11B420F2048GL112-B
BMC Image	Silicom image to support board level management
Operation system support	Linux
Storage:	-40°C–65°C (-40°F–149°F)
Regulation:	Card shall meet CE, FCC Class B, ROHS requirements
LEDs	4x Green Color, active when all power on board are Good. 1x Yellow Color, Fault Status indication.



Block Diagram Overview

The ACC100 4G and 5G Wireless Forward Error Correction (FEC) Accelerator is single-chip, fixed-function SoC that connects with an external host processor through a x16 PCI Express* (PCIe*) interface. It provides FEC acceleration for both 4G and 5G Base Transceiver Station (BTS) applications.

The BMC will provide monitoring / telemetry, fault handling. Its responsibility is to keep the ACC100 card operating. BMC component enables a better management and controlling options for the card. Such as: voltage monitoring using the sequence device, current monitoring using current devices, management of Temperature events and processing telemetries from power supplies.

The eASIC have some features, such as: JTAG controller for boundary scan, I2C Master device, DDR4 Interface and PCIe Gen3 x16 Interface.

Order Information

P/N	Description	Notes
P3iMB1-M-P1	P3 – PCIe-3, iMB – Intel ACC100, -M for management BMC, -P1 for Passive Heat sink 1	Standard Temp
P3iMB1-M-P2	P3 – PCIe-3, iMB – Intel ACC100, -M for management BMC, -P2 for Active Heat sink 2 (extended temperature).	E-Temp
P3iMB1-M-A1	P3 – PCIe-3, iMB – Intel ACC100, -M for management BMC, -A1 for Active Heat sink 1	