



TAPSF-100G

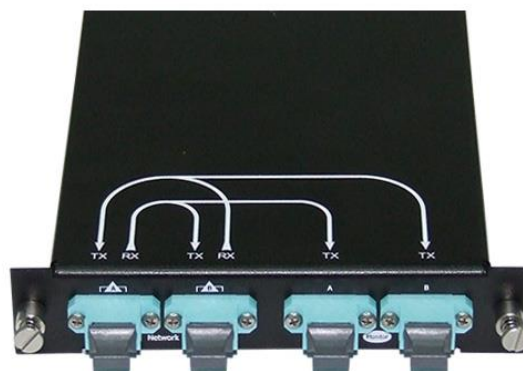
TAPSF-100G Fiber TAP Stand Alone Unit

Product Description

The Silicom TAPSF-100G is external passive TAP for 100G-SR10 / 100G-SR4 / 100G-LR4 Fiber Gigabit Ethernet networks.

The Silicom TAPSF-100G captures both sides of the Network links and transmits a copy on to the monitor ports, this feature enables full duplex monitoring of all packets transmitted between the Network ports.

The Silicom TAPSF-100G does not require power; The Silicom TAPSF-100G can be optionally installed in a rack mount frame.



Key Features

- Supports Fiber Gigabit Ethernet (100G-SR10 / 100G-SR4 / 100G-LR4)
- Passive TAP enables full duplex monitoring for 100G fiber Gigabit Ethernet networks
- Transparent to the network
- Does not require power
- No IP address is needed
- Optional 19-inch rack frame holds up to 3 TAPs

Figure: 1- TAPSF-100G-SR10, TAPSF-100G-SR4 connections diagram

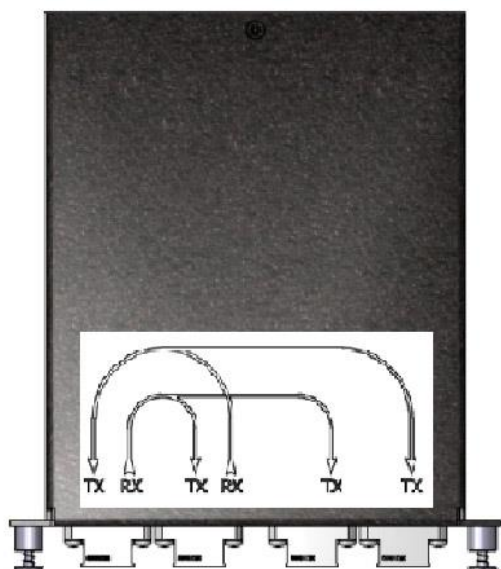
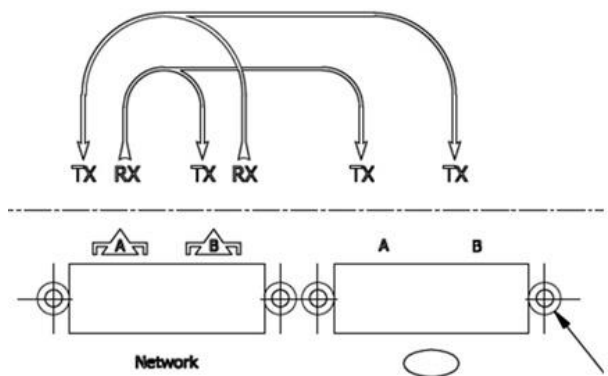


Figure: 2- TAPSF-100G-LR4: Front panel and connections diagram

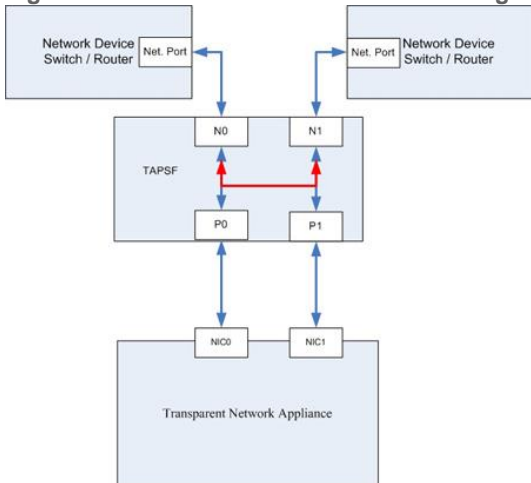


Technical Specifications

| Fiber Ethernet General Technical Specifications: | |
|--|--|
| IEEE Standard / Network topology: | Fiber 100Gigabit Ethernet, 100GBASE-SR10 (850nM) Fiber 100Gigabit Ethernet, 100GBASE-SR4 (850nM) Fiber 40Gigabit Ethernet, 40GBASE-SR4 (850nM) |
| Fiber core: | Multimode fiber: 50uM OM4 |
| Insertion loss ratio: | -50/50: 50% – Network ports to Monitor port 50% – Network port to network port |
| IEEE Standard / Network topology: | Fiber 100Gigabit Ethernet, 100GBASE-LR4 Fiber 100Gigabit Ethernet, 1000BASE-ER4 (1295.56nM, 1300.05nM, 1304.58nM, 1309.14nM) |
| Fiber core: | Singlemode fiber: 9uM |
| Insertion loss ratio: | -60/40: 60% – Network ports to Monitor port 40% – Network port to network port |
| General Technical Specifications | |
| Size: | x 120.5mm (wide) x 148mm (depth) x 27.7mm (height) (4.744" x 5.827" x 1.09") |
| Weight | 610 gram (21.52 oz) |
| Operating Humidity: | 0%–90%, non-condensing |

| | |
|-------------------------------|---------------------------|
| Operating Temperature: | 0°C – 50°C (32°F – 122°F) |
| Storage Temperature: | -20°C–65°C (-4°F–149°F) |
| EMC Certifications: | Class B |
| MTBF*: | > 50 years |

Figure: 3 – TAP Mode Functional Block Diagram



Order Information

| P/N | Description | Notes |
|--------------------|---|--|
| TAPSF-100G-QS10-55 | 100 Gigabit (SR10) Fiber TAP Stand Alone Unit | 50uM Fiber core OM4, splitting ratio 50/50 |
| TAPSF-100G-QS4-55 | 100 Gigabit (SR4) Fiber TAP Stand Alone Unit | 50uM Fiber core OM4, splitting ratio 50/50 |
| TAPSF-100G-LR4-64 | 100 Gigabit (LR4) Fiber TAP Stand Alone Unit | 9uM Fiber core, splitting ratio 60/40 |
| RK-1U-3-PBSS | Rack mount frame for 3x Silicom TAP standalone units. | Optional for 19" / 1U mounting frame |



* The -XX suffix at P/N defines the splitting ratio